

VERDERAIR

VA-2H40 SF

The VA-2H40 SF is a hygienic designed air operated double diaphragm pump. With the wide range of materials for valve seats, balls valves and diaphragms, this pump is the ideal problem solver for numerous hygienic applications. The VA-2H series is used where a high degree of food safety is required. The VA-2H is a reliable, easy to operate pump.



Your benefits

- Most hygienic design for food applications
- Efficient engineered design which reduces the risk of contamination (low amount of products which come into contact with the medium)
- A high quality product with best price-performance ratio
- Can run against closed discharge valve without the need of overpressure safety equipment
- Dry self-priming

Technical Data			
Weight (kg)	Flapper version	37,6	
Suction lift (mWc)	dry	3	
	wet	9,1	
Temperature limits internals (°C)	BUNA-N	-12	82
	FKM *	-40	135
	EPDM	-40	135
	Neoprene	-18	82
	PTFE	4	104
	PTFE overmold diaphragms	4	82
	Santoprene	-40	82
Max. particle size (mm)	Flapper versions	30,5	
Max. viscosity (mPas)		15000	
Fluid displacement/cycle (litres)	Flapper versions	1,17	
Certifications	All models	-	CE / FDA
	Internals diaphragms	EO,TO,TS	EN1935/2004
		EO,TS	USP class VI

* The maximum temperature listed is based on the ATEX standard for T4 temperature classification.
If you are operating in a non-ATEX zone, FKM maximum temperature is 160°C

Code VA-2H40 No.1 No.2 No.3 No.4 No.5 No.6 No.7 No.8			
<p>No. 1 Fluid Section Material X = 316 Stainless Steel, Ra : 0,8µm</p> <p>No. 2 Air Section Material S = 316 Stainless Steel</p> <p>No. 3 Check Valve seat material SE = SS seat with EPDM o-rings ST = SS seat with EP-TF o-rings SV = SS seat with FKM o-rings</p>	<p>No. 4 Check ball valves material FL = SS316 Flapper</p> <p>No. 5 Diaphragm material EO = EPDM overmolded SO = Santoprene overmolded SP = Santoprene TO = PTFE/EPDM overmolded TS = PTFE/Santoprene 2 piece VT = Viton</p>	<p>No. 6 Connections D4 = DIN 11851, DN40, male T4 = Tri-Clamp (ASME BPE), 1 1/2"</p> <p>No. 7 Pump Style SF = Flapper valve execution</p> <p>No. 8 Wetted material certifications 21 = EN 10204 type 2.1 31 = EN 10204 type 3.1</p>	<p></p> <p></p> <p></p>

NOTE not all combinations are available

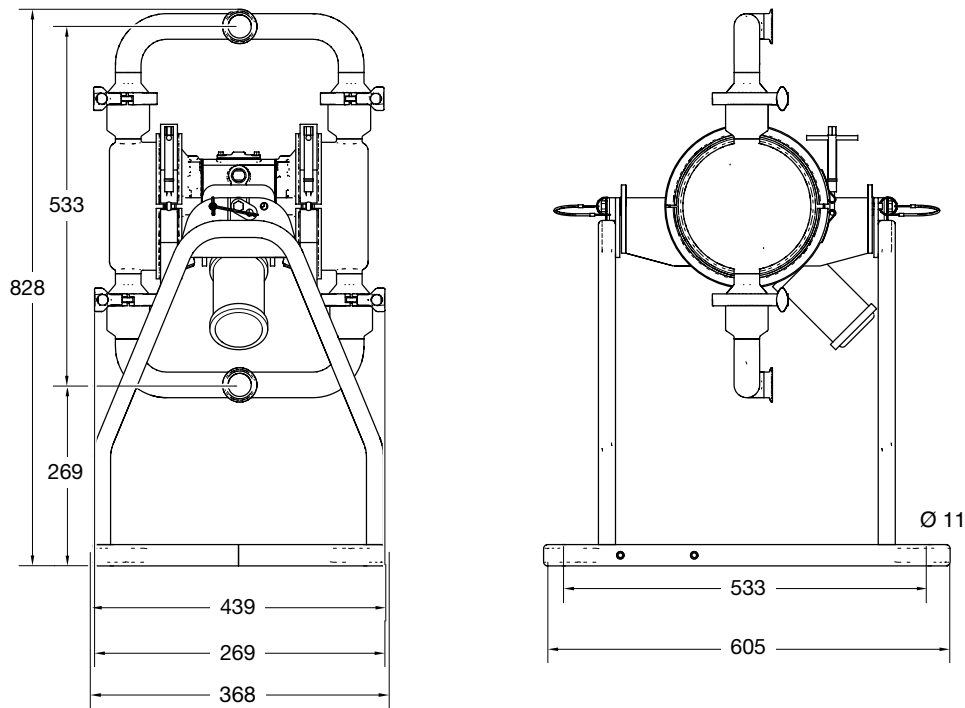
II 2 GD h IIA T6...T3 Gb X h IIIB T160°C Db EN 1935/2004

EXAMPLE PUMP TYPE
VA-2H40XS ST FL TS D4 SF 21

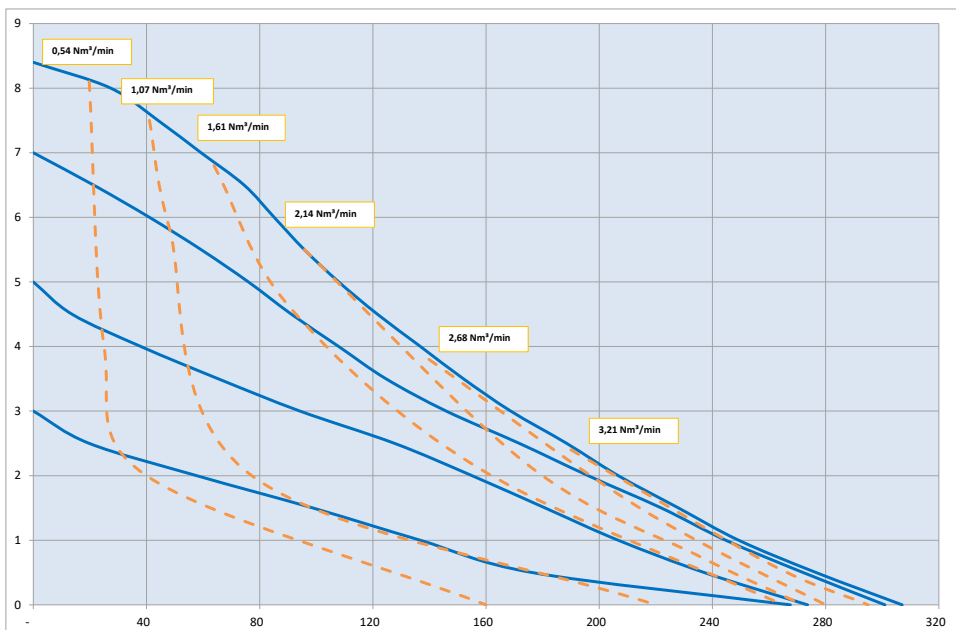
VERDERAIR

VA-2H40 SF

Dimensions (mm)



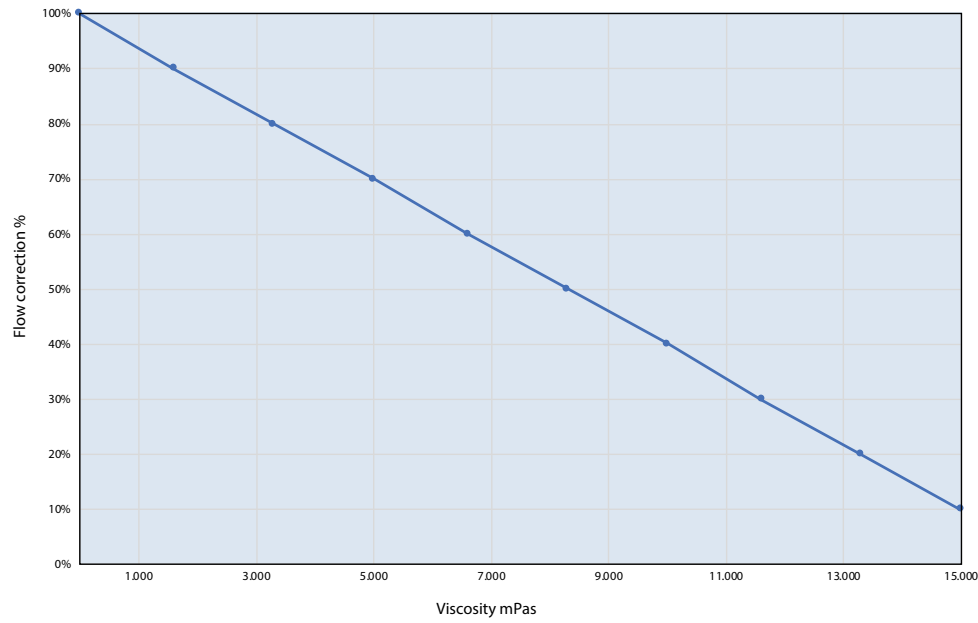
Flow rate / air consumption



VERDERAIR

VA-2H40 SF

Viscosity correction curve



Datasheet_VA-2H40_SF_EU



Find your local supplier at www.verderliquids.com

For construction, installation and floor mounting drawings
please contact your local authorised Verderair® distributor.

VERDER
passion for pumps