

# Verderflex

## Dura 45



VERDERFLEX®

Description	Material	Paint Detail
Pump Housing	Cast Iron (GG25)	Green Powder Coated
Front Cover	Steel	Powder Coated
Window	Plexyglass	
Rotor	SG Iron	
Rotor shoes	Cast Aluminium, other materials to order	
Rotor attachment	Keyless Friction Bush	
Bearing Housing	Cast Iron	Green Powder Coated
Front bearing	Twin Row Spherical Roller	
Rear bearing	Deep Groove Ball Race	
Drive shaft	Heat treated steel	
Shaft Seals	Viton option PTFE	
Mounting Frame	Steel	Powder Coated
Hose options	Natural Rubber (NR) Options: Nitrile Buna Rubber (NBR) Ethylene Propylene Diene Monomer (EPDM), Food Grade Nitrile Buna (NBRF), Hypalon® (CSM)	
Port Flange	316 Stainless Steel Universal slotted design complies with DIN PN16 DN 50, ANSI 150# 2" & JIS10K, Options: 304 Stainless Steel with Polypropylene or P.V.D.F Insert*, DIN11851 Hygienic, DIN32676 Tri-clamp	
Lubricant options	Verderlube - Glycerine based lubricant** Verdersil - Silicone based lubricant***	
Weight with typical GMU	160 kg	
ATEX Option	YES	

\* Temperature Limit for PP insert is 40°C and for PVDF insert is 80°C.

\*\* Temperature Limit for Verderlube is 50°C.

\*\*\* Suitable for application above 50°C, but subject to maximum temperature limit of the hose and applications involving strong oxidising agents and nitrogenous compounds.



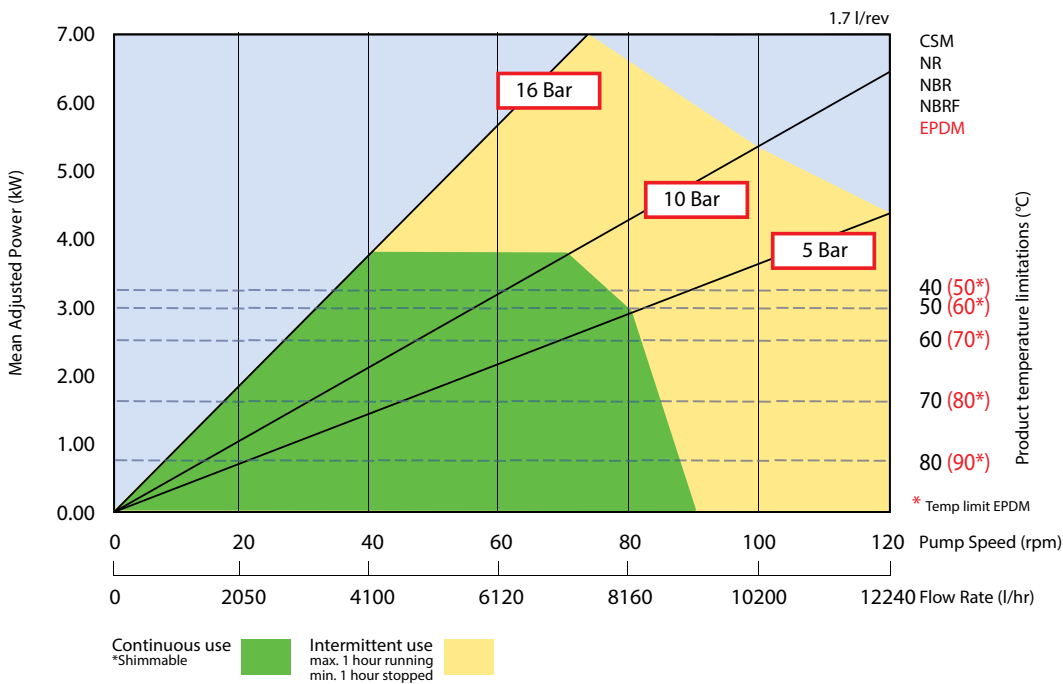
# Verderflex Dura 45



VERDERFLEX®

## Standard Pump Options for 50Hz Motor Fitted With Planetary Gearbox, Suitable for Inverter Duty

Flow l/hr	Pump Speed RPM	Installed Motor Power kW	Maximum Pressure (Bar)
1,100	11	1.5	16
1,400	14	2.2	16
1,900	19	3.0	16
2,200	22	3.0	10
2,900	28	3.0	10
3,900	38	4.0	10
4,800	47	4.0	5
6,000	59	5.5	5
7,300	72	5.5	5
8,100	79	7.5	5
9,900	97	7.5	5



\*For the number of shims required, please refer to the manual.

Any application below 15 Hz may require special review

Flows are typical and were measured with water at 20°C with no suction lift or discharge pressure. Actual flows will vary according to suction conditions, discharge pressure and normal component production tolerances.

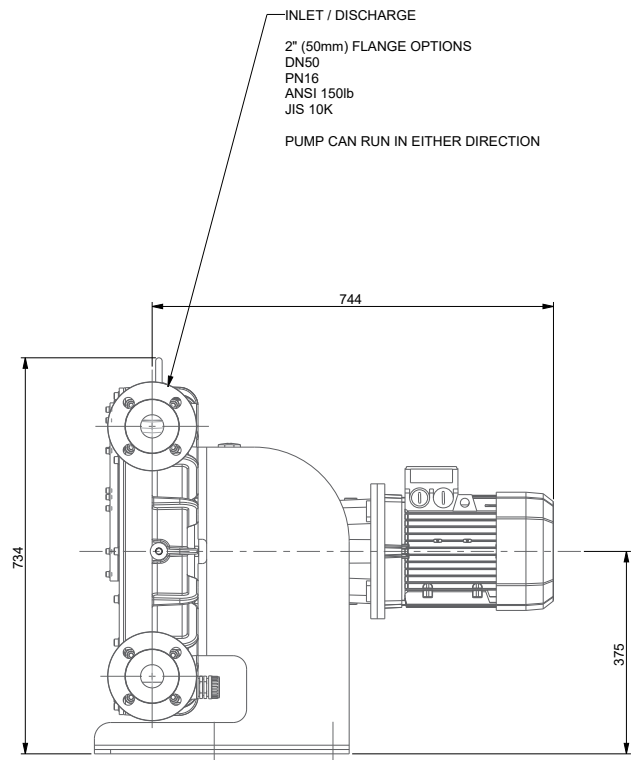
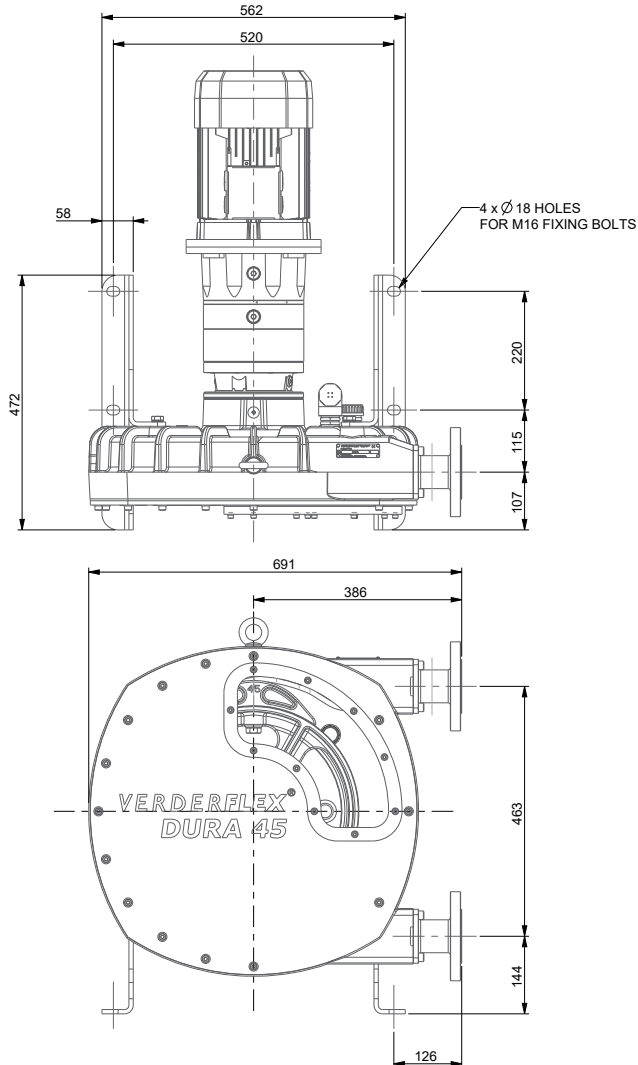
DURA PUMPS OPERATING ABOVE 6 BAR REQUIRE CONSULTATION WITH MANUFACTURER OR DISTRIBUTOR.



# Verderflex Dura 45



## Dimensions



All dimensions are in mm.  
All dimensions and weights are for guidance only.

## Trademarks

VERDERFLEX® is a registered trademark of Verder International B.V. No permission is granted to use any Verder, trademarks or trade names included in this document without the prior written agreement of Verder International B.V.

Tri-clamp® is a registered trademark of Alfa Laval Corporate AB.

Hypalon® is a registered trademark of RSCC Wire & Cable LLC.

© Verder International B.V

Find your local supplier  
at [www.verderflex.com](http://www.verderflex.com)

For construction installation and floor mounting drawings  
please contact your local authorised Verderflex® distributor.

**VERDER**  
passion for pumps