

# Verderflex

## Rapide R3DC



VERDERFLEX®

### Description

The Rapide R3DC peristaltic pump head combines high flow with heavy duty performance for applications requiring reliability, accuracy and high suction lift capacity.

### Your benefits

- Flow rate 3.4 l/min, 204 l/h, 54 GPH
- D.C. motor for speed/flow rate variations
- Ideal for use in: printing production; dispensing; industrial detergent applications

### Technical Specifications

Max. Flow Rate *	3.4 l/min, 204 l/h, 54 GPH
Maximum Pump Speed	240 RPM
Max. Discharge Pressure	2 bar (29 PSI)
Standard Speed	240 RPM
Pump Head	Aluminium Alloy with Support Bearing
Rotor Assembly	Anodised Aluminium with Two Nylatron® Rollers
Installed Motor Power	12/24V D.C 100W Spur Gearbox
Standard Tube Options	Verderprene and Silicon
Tube Size	6.4 x 3.2 mm, 8.0 x 3.2 mm, 9.6 x 3.2 mm
Weight	1.75 kg (3.9 lb)

\* with standard selection

### Flow Rates

Tube	RPM	Flow l/min	Flow l/hr	Flow GPH
6.4 x 3.2	240	1.8	106.6	28.2
8.0 x 3.2	240	2.8	168.5	44.5
9.6 x 3.2	240	3.4	204.5	54

\*actual speed and flow rates may vary depending on motor speeds, the medium being pumped and the actual application setup

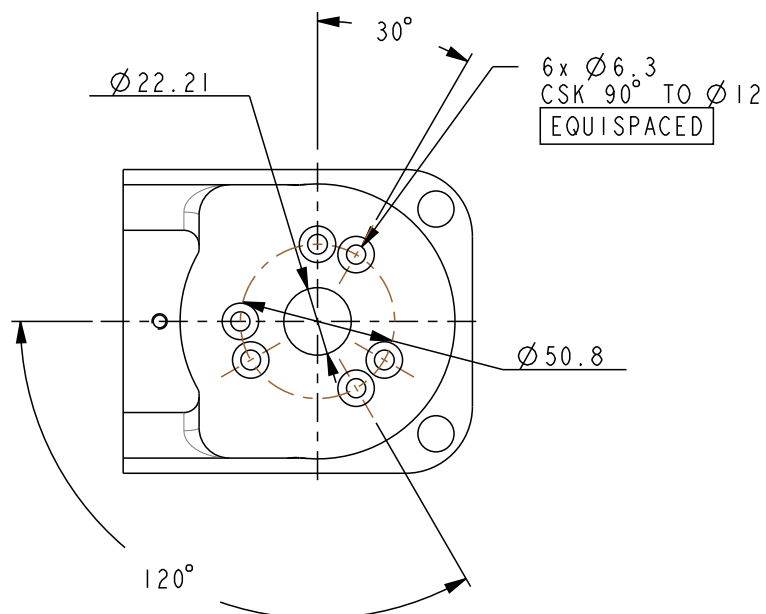
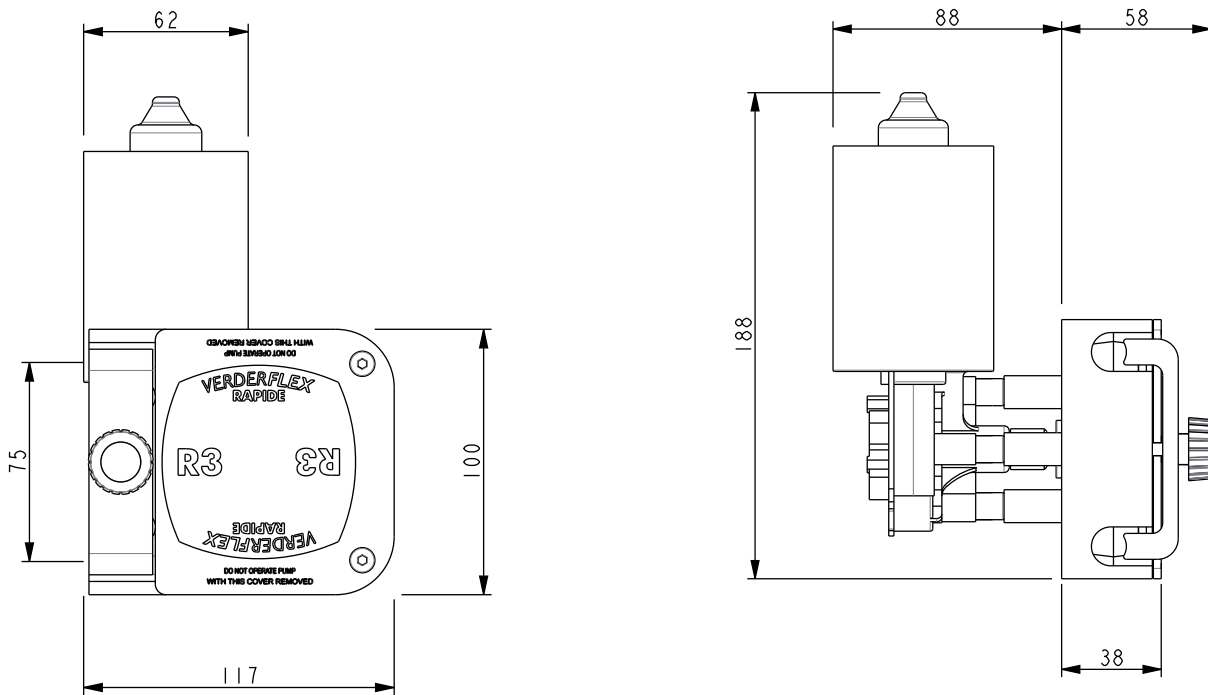
Flows are typical and were measured with water at 20°C with no suction lift or discharge pressure. Actual flows will vary according to suction conditions, discharge pressure, tube material and production tolerances.



# Verderflex Rapide R3DC



General Arrangement Drawing and Mounting Positions

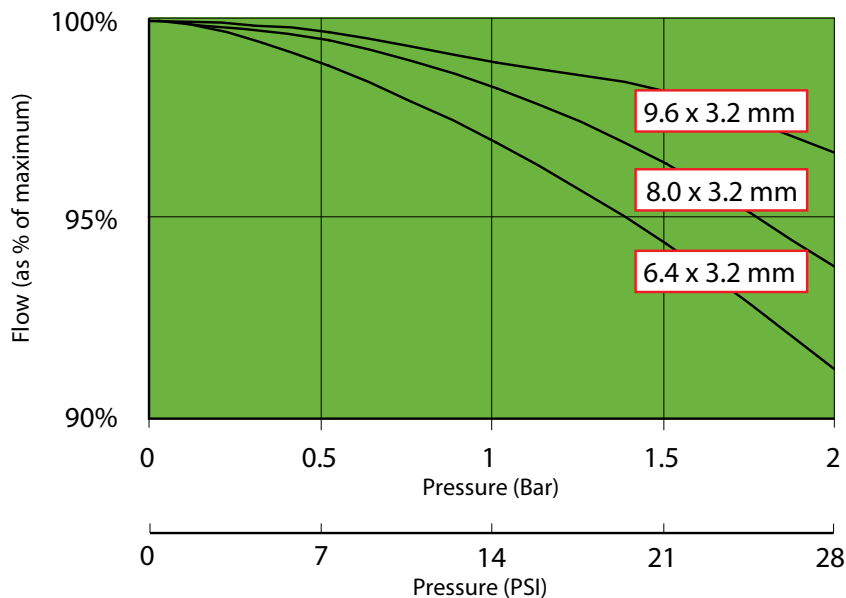


All dimensions are in mm.  
All dimensions and weights are for guidance only.

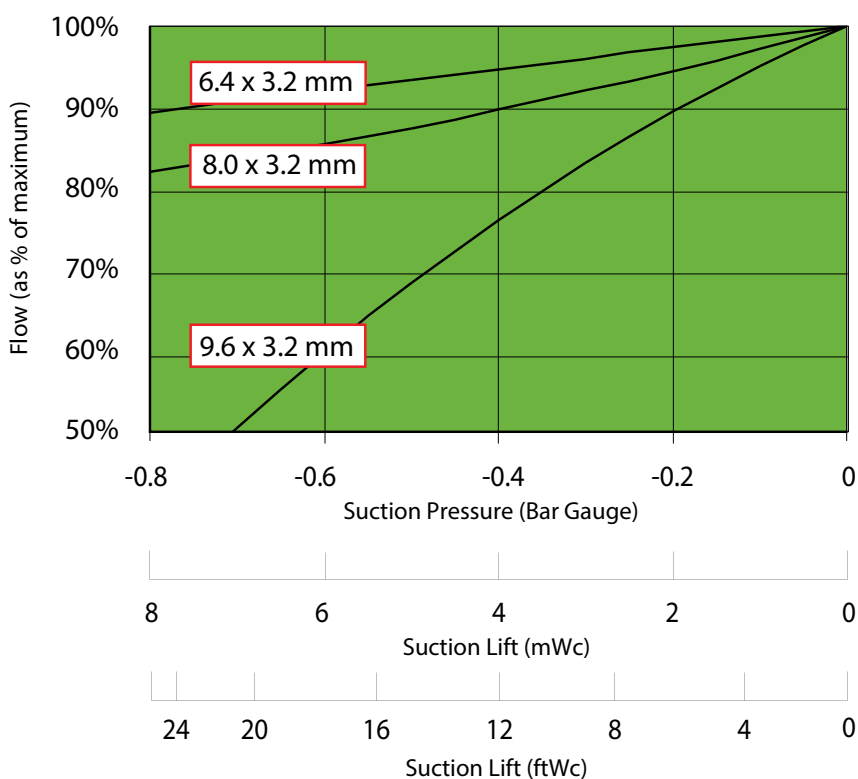
# Verderflex Rapide R3DC



## Discharge Curve



## Suction Performance Curve



Find your local supplier  
at [www.verderflex.com](http://www.verderflex.com)

For construction installation and floor mounting drawings  
please contact your local authorised Verderflex® distributor.