

Verderflex EV1500



VERDERFLEX®

Verderflex Economy EV1500 Specifications

Speeds	30 to 240 RPM
Control	Manually controlled through potentiometer, fast prime, reversible
Pumphead	Black Cylcoloy with support bearing
Rotor Assembly	2 Roller Nylon 6, with acetal polymer rollers
Voltage	110/230V 50/60Hz
Installed Motor Power	150W
Protection Class	IP30
Standard Tube Options	Verderprene, Silicone and Viton®
Standard Tube Sizes	6.4 x 2.4 mm, 8.0 x 2.4 mm
Weight	3 kg

Flow Rates

Tube	Min. Flow (ml/min)	Max. Flow (ml/min)
6.4 x 2.4	190	1,710
8.0 x 2.4	280	2,570

Flows are typical and were measured with water at 20°C with no suction lift or discharge pressure. Actual flows will vary according to suction conditions, discharge pressure, tube material and production tolerances.

Standard Pump Ordering Options

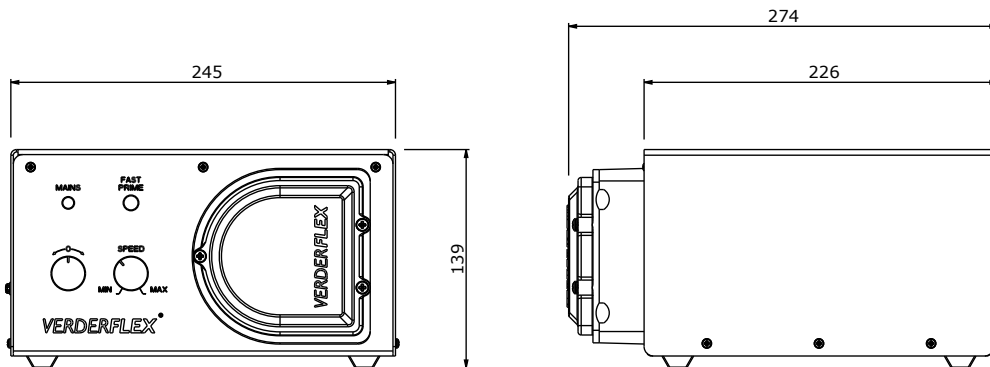
No Tubing

UK Plug	160.1000	VF ECONOMY EV 1500 No Tube VP UK
European Plug	160.1001	VF ECONOMY EV 1500 No Tube VP EU
US Plug	160.1002	VF ECONOMY EV 1500 No Tube VP US

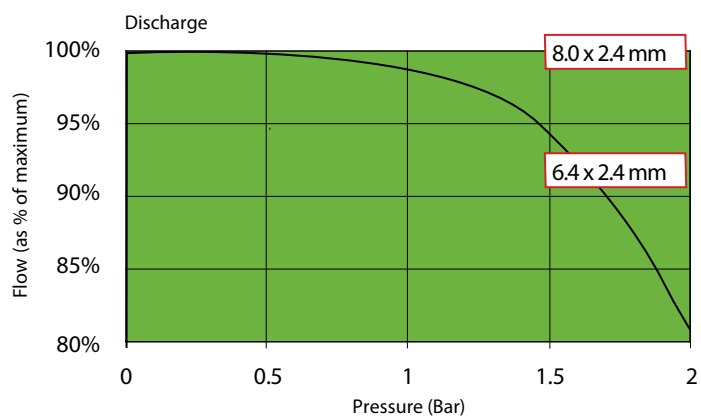
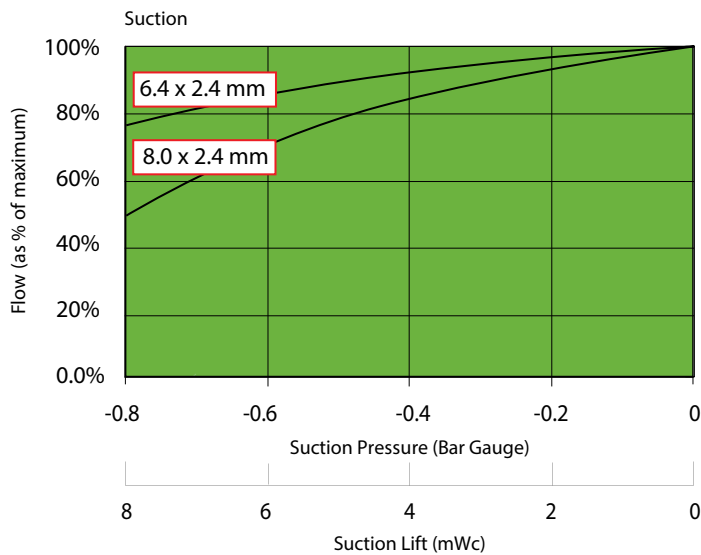
Tubing is ordered separately



Verderflex EV1500



All dimensions are in mm.
All dimensions and weights are for guidance only.



Trademarks

VERDERFLEX® is a registered trademark of Verder International B.V. No permission is granted to use any Verder, trademarks or trade names included in this document without the prior written agreement of Verder International B.V.

© Verder International B.V.

Find your local supplier
at www.verderflex.com

For construction installation and floor mounting drawings
please contact your local authorised Verderflex® distributor.

VERDER
passion for pumps