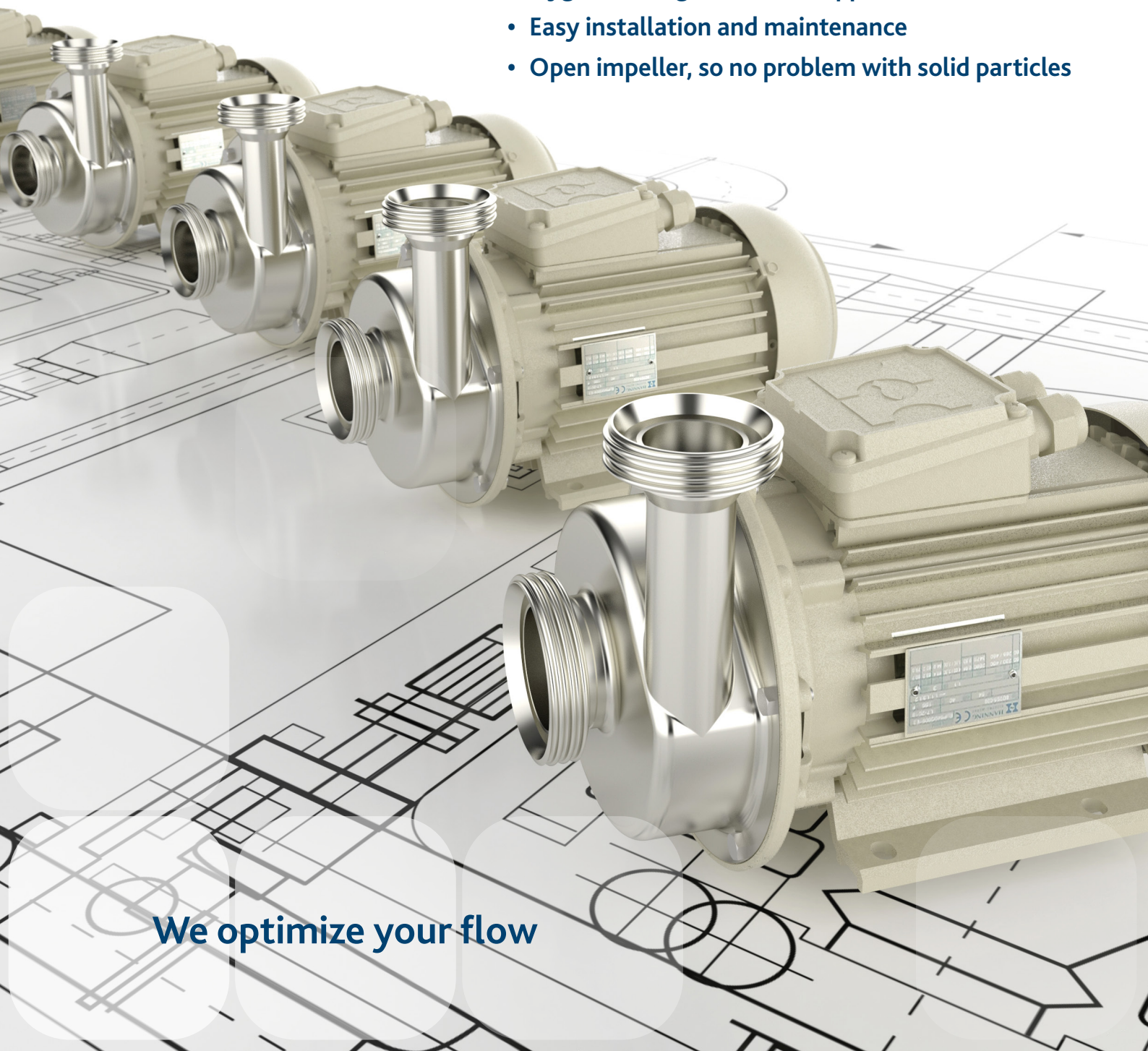


## The Packo OEM pump FP60

Flexibility and efficiency make this hygienic pump the-must-have for machine construction!

- Compact pump in SS 316
- Hygienic design, with FDA approved materials
- Easy installation and maintenance
- Open impeller, so no problem with solid particles



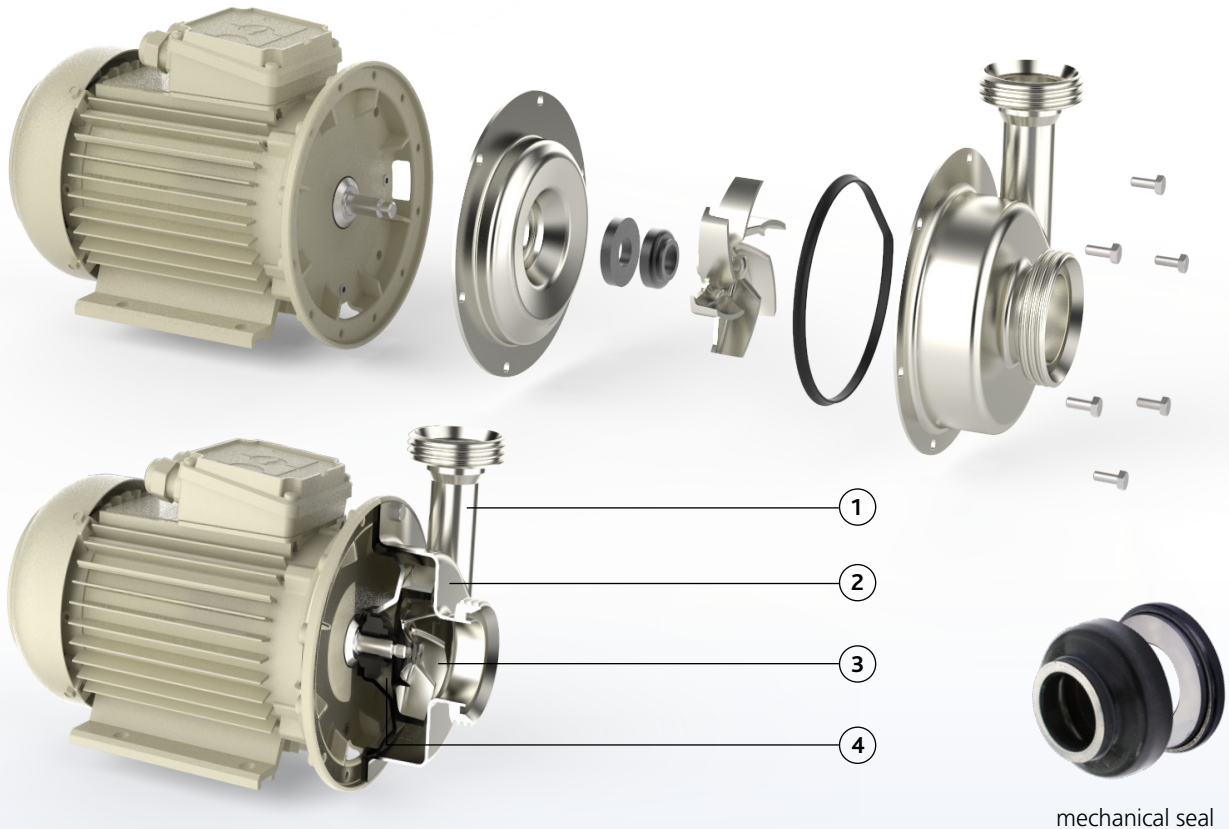
**We optimize your flow**

# OEM pump series FP60



## Characteristics

The Packo stainless steel centrifugal pumps of the FP60 series are high value for money hygienic pumps. They have investment cast open impellers. This series achieves an overall high efficiency, leading to a lower energy consumption and gentle pumping. Thanks to its modular concept it also guarantees an easy maintenance.



## OEM pump FP60

- 1 Suction and discharge connections can be modified on request
- 2 Pressed stainless steel with minimum thickness of 2 mm
- 3 Investment cast open impellers
- 4 Large seal cavity to guarantee liquid circulation around the seal

## Your benefits

- High pump efficiency resulting in lower energy consumption and gentle pumping
- Low NPSH values: less risk on cavitation
- Electropolished: higher resistance against corrosion
- Suction and discharge connections can be modified to fit into your machine
- Easy construction and easy maintenance: less downtime
- Compact design, easy to install
- Solid impellers compared to low cost spot welded versions

## Application areas

The FP60 pumps are mainly used for pure as well as slightly contaminated liquids up to a maximum viscosity of 500 cP.

They are often used as circulation pump in industrial washing machines for the washing of textiles, bottles, crates, but also for pumping solvents, alcohols and chemicals and in water treatment.

**OEM Pump Series**

**FP60**

**Performance**

max. flow rate	40 m <sup>3</sup> /h
max. differential head	27 m
max. inlet pressure	3 bar
max. liquid viscosity	500 cP
max. temperature	95°C
impeller type	cast, open
max. free passage	15 mm
max. motor power	1.5 kW
max. speed	3000/3600 rpm
available frequency	50/60 Hz

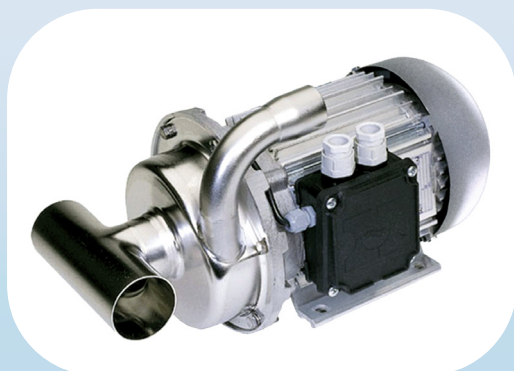
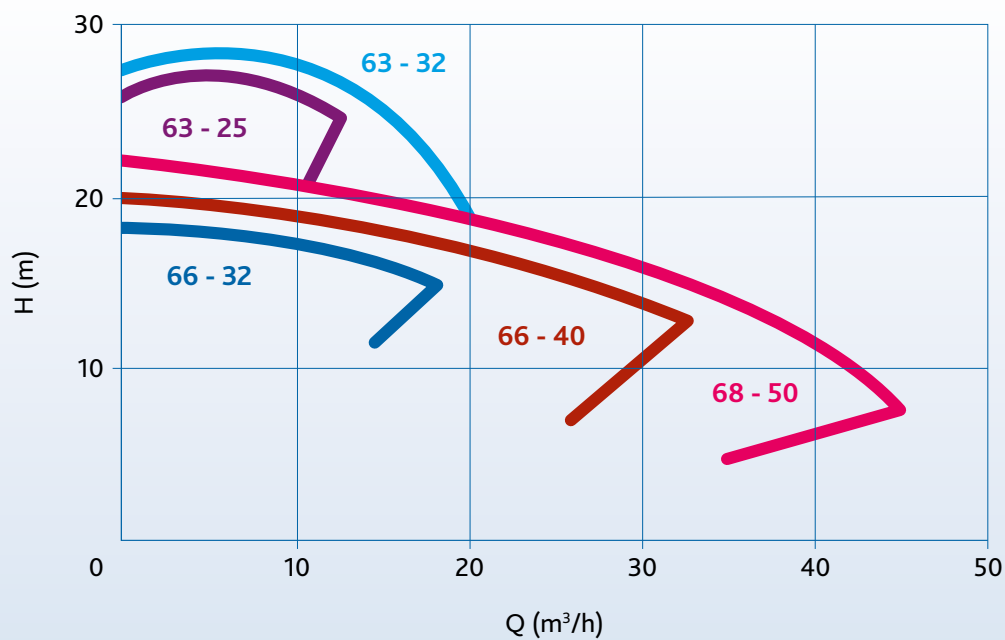
**Technical specifications**

materials wetted parts	stainless steel 316L or similar
mechanical seal configuration	single, elastomer bellow or O-ring type
available O-ring materials	EPDM, FKM
connections	hygienic, industrial, custom design on request
surface finish	electropolished
certificates & legislation	



**Performance curves at 2900 rpm**

**FP60**



OEM pump series FP 60 custom made

## Types & Dimensions

Type	kW	B3	D3	H3	G3	K	Ø
63-25	1,1kW	125	100	80	183	61	10
63-32	1,1kW	125	100	80	183	59	10
66-32	1,1kW	125	100	80	183	62	10
66-40	1,1kW	125	100	80	183	59	10
63-25	1,5kW	125	100	80	183	61	10
63-32	1,5kW	125	100	80	183	59	10
66-32	1,5kW	125	100	80	183	62	10
66-40	1,5kW	125	100	80	183	59	10

### Ap

Ports	DIN 11851	SMS	RJT	Tri Clamp ISO2852	BSP
63-25	44	41	49	42	61
63-32	44	44	48	42,5	71,5
66-32	47	47	51	45,5	74,5
66-40	49,5	49,5	53,5	48	75

### H2

Ports	DIN 11851	SMS	RJT	Tri Clamp ISO2852	BSP
63-25	125	122	130	125	143
63-32	125	122	130	125	143
66-32	125	122	130	125	143
66-40	125	126	130	125	153

### C3 [1,1kW]

Ports	DIN 11851	SMS	RJT	Tri Clamp ISO2852	BSP
63-25	128	125	133	126	145
63-32	128	128	132	126	155
66-32	129	129	133	127	156
66-40	131	131	135	130	157

### K3 [1,1kW]

Ports	DIN 11851	SMS	RJT	Tri Clamp ISO2852	BSP
63-25	330	327	335	328	347
63-32	330	330	334	328	357
66-32	331	331	335	329	358
66-40	333	333	337	332	359

### C3 [1,5kW]

Ports	DIN 11851	SMS	RJT	Tri Clamp ISO2852	BSP
63-25	128	125	133	126	145
63-32	128	128	132	126	155
66-32	129	129	133	127	156
66-40	131	131	135	130	157

### K3 [1,5kW]

Ports	DIN 11851	SMS	RJT	Tri Clamp ISO2852	BSP
63-25	360	357	365	358	377
63-32	360	360	364	358	387
66-32	361	361	365	359	388
66-40	363	363	367	362	389

