

# VERDERGEAR Small, Gear pump VGS120

## Description

Verdergear Gear Pumps are perfectly suitable for demanding applications in fluid transfer for dangerous liquids or expensive chemicals. They produce a very constant pulsation free flow without leakage.

The magnetically driven gear pumps have no shaft seals and are 100% leakfree. The pumps are perfect for dosing small volumes in a precise and reproducible way.



## Advantages

- Pulsation free flow
- Highly reliable
- High dosing accuracy
- Corrosion-resistant materials
- Self-priming
- Very user-friendly

## Application areas

- Construction industry
- Chemical industry
- Research & Development
- Food industry
- Paper industry
- Textile industry
- Environmental technology

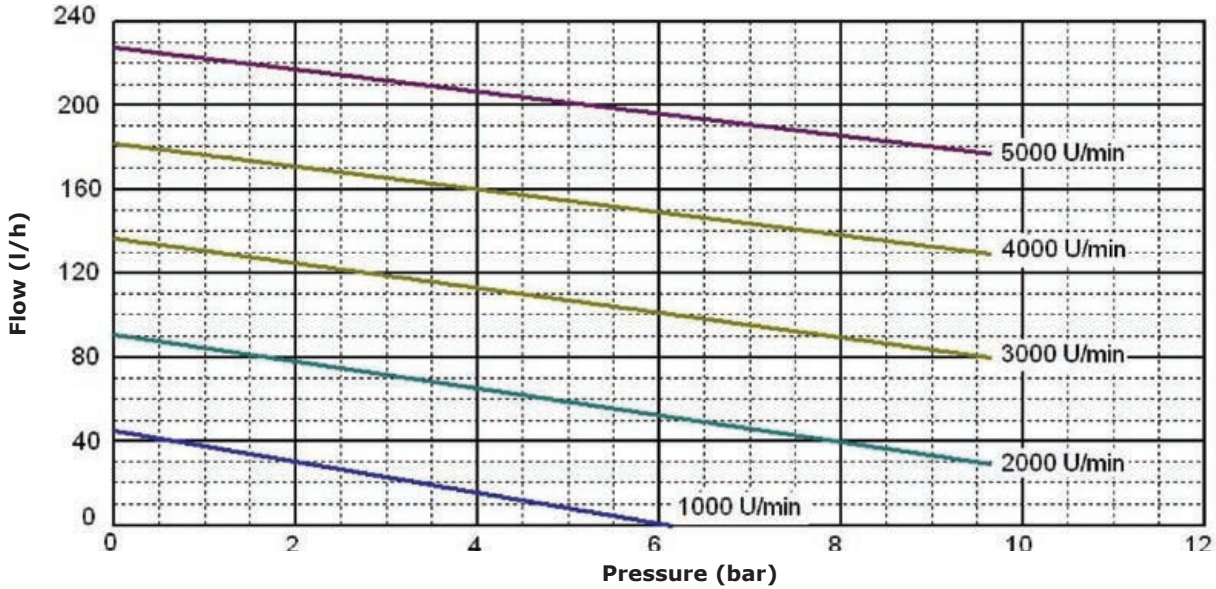
## Technical data

|                            |   |
|----------------------------|---|
| Speed range                | 40 - 5000 Rpm                                       |
| Flow range                 | 0 - 240 l/h   |
| Max. differential pressure | 13 bar  |
| Max. system pressure       | 34 bar  |
| Temperature range          | -46 to +176 °C                                      |
| Viscosity                  | 1 - 2000 mPas*                                      |
| Connections                | 1/8 " NPT (optional 1/4 " NPT)                      |
| Noise level                | < 70 dB (A)   |
| Material o-ring            | PTFE (optional Viton)                               |
| Material gears             | PEEK (optional PPS)                                 |
| Material casing            | Stainless steel 316L<br>(optional Hastelloy, Titan) |

\* higher viscosities are possible on request

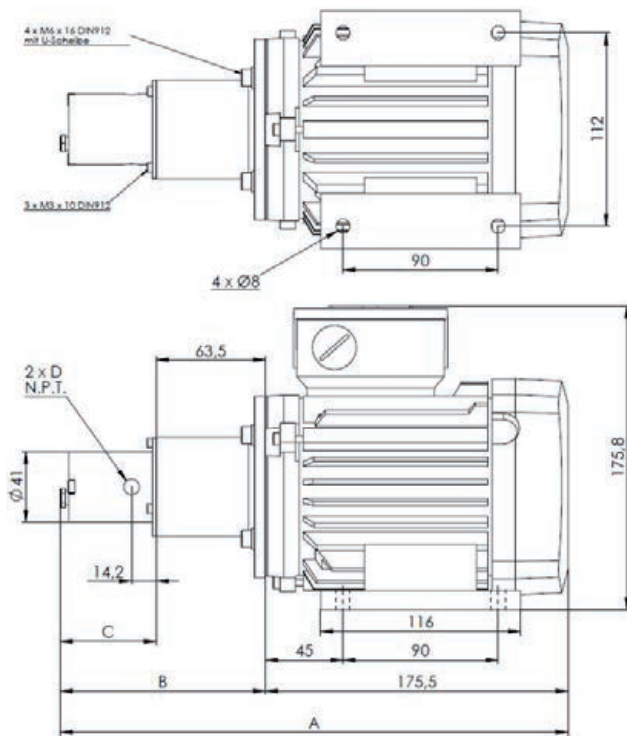
# VERDERGEAR Small, Gear pump VGS120

## Flow curve



Flow curve valid for suction: 1 bar; media temperature: 20 °C; media viscosity: 1 cSt; bypass valve completely closed

## Drawing



| Model  | A        | B        | C       | D     |
|--------|----------|----------|---------|-------|
| VGS120 | 299.9 mm | 124.4 mm | 60.7 mm | 1/8 " |

