

Verderhus

Submersible Pump Accessory - Auto Coupling DN80



Description

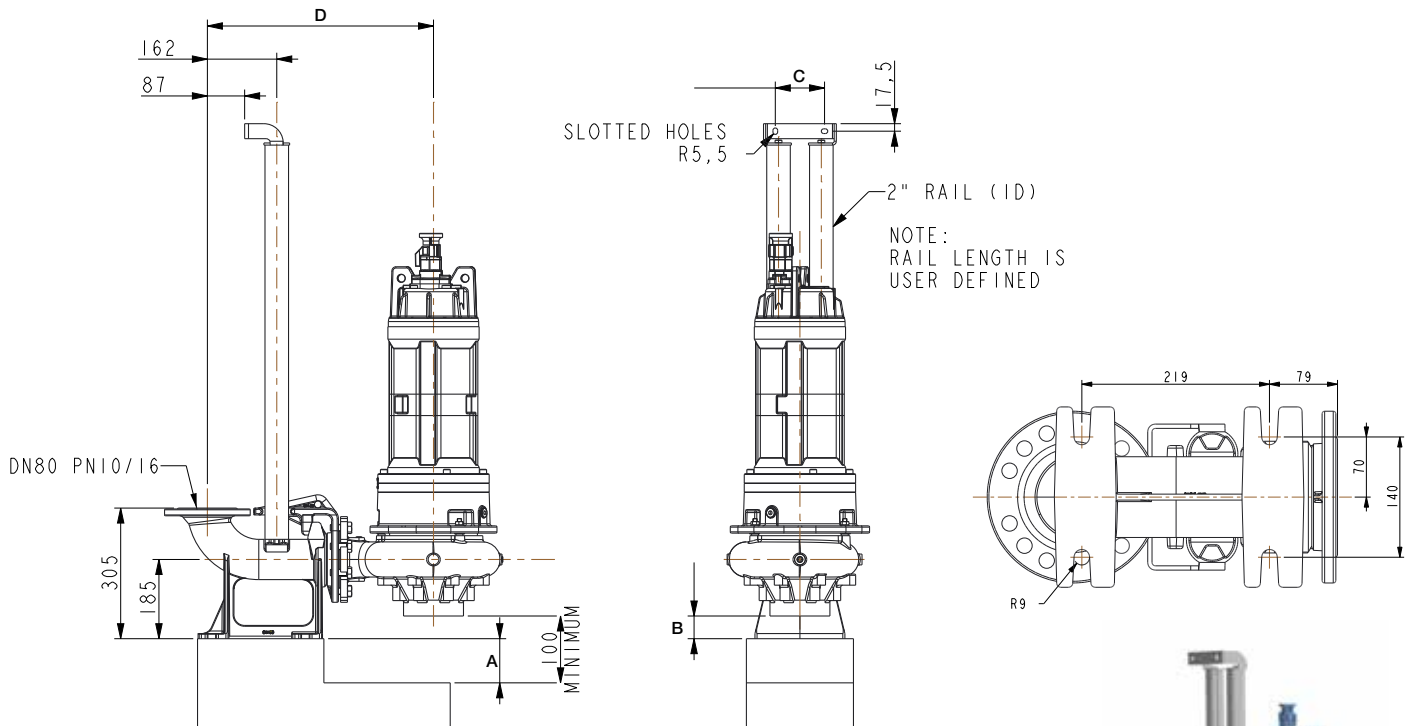
Verderhus submersible screw centrifugal pumps combine the best features of centrifugal and positive displacement pumps. Accessories such as of auto coupling are discharge connectors that are designed to enable installation of the Verderhus submersible screw centrifugal pumps within the fluid.

Recommended Heavy Duty Guide Rails suitable for fluid being pumped (Available separately)



Above image shows parts supplied in Auto-couple set.

Size	Material
2" ID	Stainless steel or galvanised steel suitable for pump media



Pump model	A	B	C	D
HSTA 80-80	14	86	115	453
HSTA 100-80	47	53	115	528

All dimensions are in mm. Above drawing is for general purposes only.
Pump specific drawing are available on request.



Above image is illustration of pump assembly.

Find your local supplier at www.verderhus.com

For construction, installation and floor mounting drawings please contact your local authorised Verderhus® distributor.

VERDER
passion for pumps

